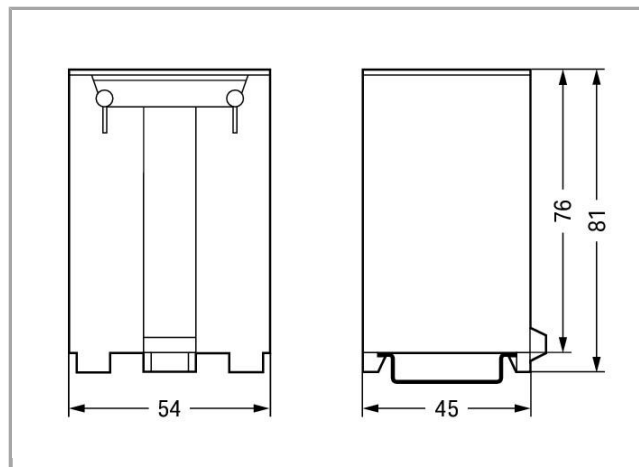


Data sheet | Item number: 709-591

Switchgear cabinet drawer; DIN 35-rail mount drawer

709-591



Data

Material Data

Weight

45 g



**Commercial data**

Product Group	2 (Terminal Block Accessories)
Country of origin	DE
GTIN	4050821238430
Customs Tariff No.	39269097900

Subject to changes.

---